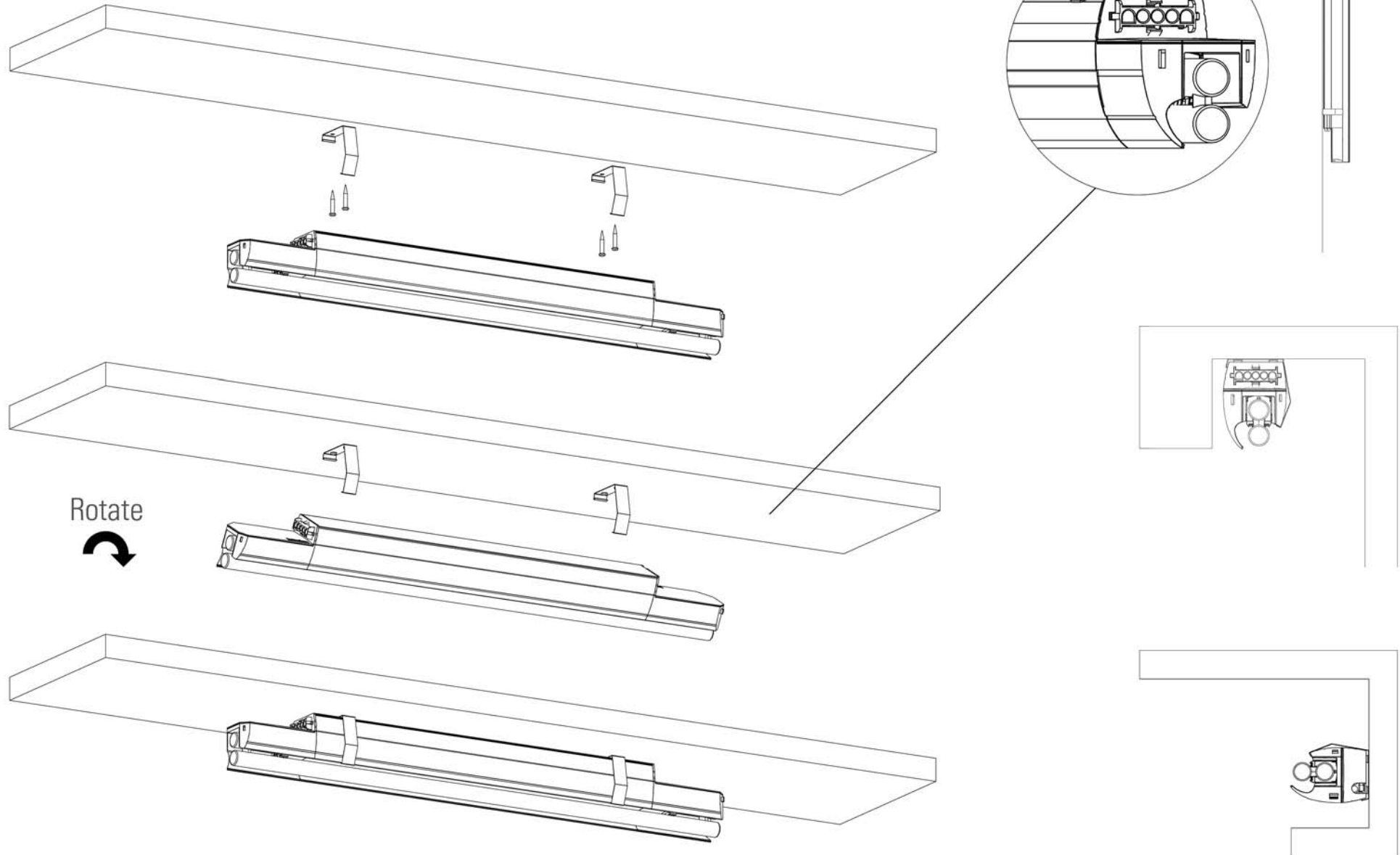


mounting options

utilising the mounting clip (KLST5MC1)



KLST5MC1 is an optional accessory that can be ordered separately.